

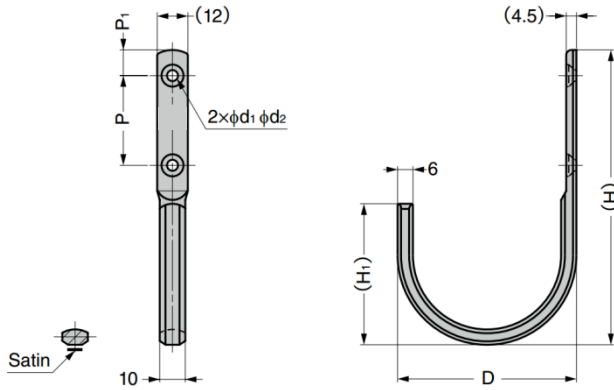
GXL-CUJ Large Utility Hook

Material

- Stainless steel 303, polished / satin finish

Parts Included

- GXL-CUJ45TT:** Raised countersunk head tapping screw 3.5×20 (SUS)
- GXL-CUJ70TT:** Raised countersunk head tapping screw 4×20 (SUS)



Part No.	D	H	H ₁	P	P ₁	d ₁	d ₂	Load Capacity	
GXL-CUJ45TT	46	75	36	20	8.5	3.8	7.2	200 N	20 kg
GXL-CUJ70TT	72	112	56	35	10	4.3	8.6	138 N	14 kg

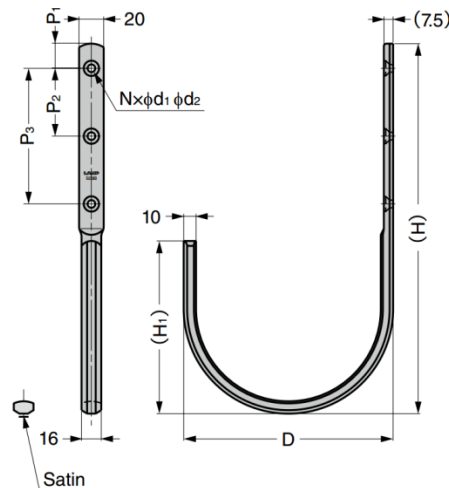
GXL-CUF Large Utility Hook

Material

- Stainless steel 303, polished / satin finish

Parts Included

- GXL-CUF110TT:** Raised countersunk head tapping screw 5×30 (SUS)
- GXL-CUF170TT:** Raised countersunk head tapping screw 6×30 (SUS)



Part No.	D	H	H ₁	P ₁	P ₂	P ₃	N	d ₁	d ₂	Load Capacity	
GXL-CUF110TT	112	198	91	17	-	70	2	5.2	10.5	314 N	32 kg
GXL-CUF170TT	173	300	138.5	20	55	110	3	6.2	12.5	147 N	15 kg